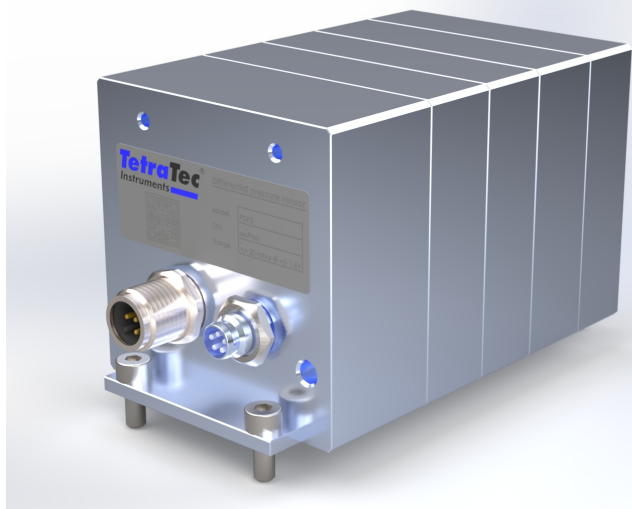


PDP2.flange Digital and Analog Combined Pressure Transducer for Differential and Static Pressure

Stand: 02.06.2026



The digital combined pressure transducer PDP2.flange for differential and static pressure offers exceptional features in a practical flange housing.

- Process-safe sealing through flange-mounted housing
- Internal volumes reduced to a minimum
- Capacitive differential pressure measurement
- Very high overload resistance of the differential pressure cell: more than 1000× the measuring range
- Extremely fast response to pressure changes
- Low position dependency of the pressure cells
- Sensor can be operated bidirectionally
- Suitable for flow measurement with a Laminar Flow Element (LFE)
- Temperature compensation from 10°C to 50 °C
- Additional analog signal (±2 V)

Specifications

General

Digital output signal:	Modbus-RTU
Analog output signal:	-2...+2 V
Supply voltage:	24 VDC ± 20 %
Digital connection:	M12 5-Pol ¹⁾
Analog connection:	M8, 5-Pol ¹⁾
Operating temperature:	+15°C .. +50 °C
Speed:	T ₉₀ ca. 40 ms
Media:	Air, inert gases, non-condensing
Storage temperature:	-20°C .. +60 °C
Temperature compensated:	+15°C .. +50 °C

Differential Pressure

Measuring principle:	Capacitive
Material:	Ceramic
Pressure against atmosphere:	Up to 10 bar relative
Measuring ranges:	± 1 / 2 / 10 / 20 mbar
Linearity deviation:	Typ. ± 0,025 % of span
Overload limits:	Plus to Minus: 10 bar Minus to Plus: < 1 bar ²⁾
Hysteresis:	Typ. 0,025 % of span
Repeatability:	Typ. 0,010 % of span

Static Pressure

Measuring principle:	Piezoresistive
Material:	Stainless steel 316 L
Measuring ranges:	Absolute: 0...1 / 0...7 bara Relative: ±0,07 / ±1 / -1...7 /

Linearity deviation:	-1...20 bar Typ. ± 0,025 % of span
Overload limits:	2 × Measuring range
Hysteresis:	Typ. 0,010 % of span
Repeatability:	Typ. 0,010 % of span

¹⁾: Pin assignment can be found in the manual.

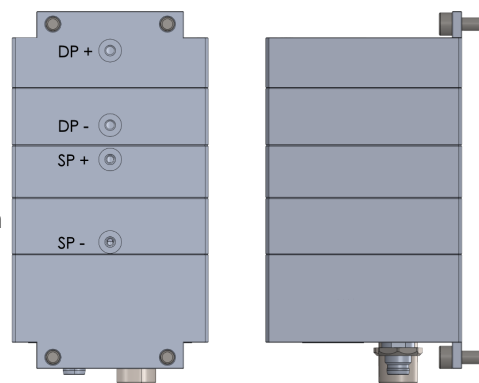
²⁾: Please refer to the manual regarding possible misuse.

Connection Options

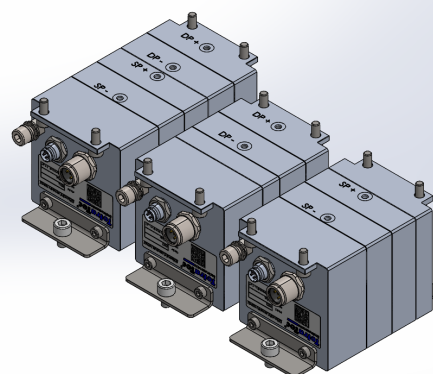
A special feature of the sensor is the practical flange housing for process-safe adaptation:

Bottom side with pressure connections:

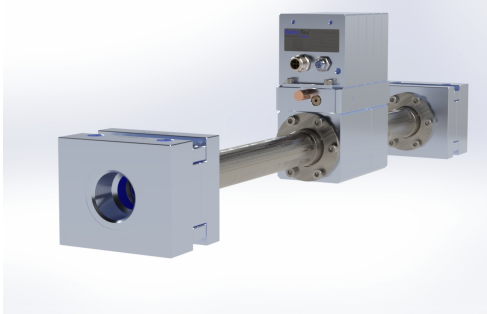
- Flange mountable with O-ring 3,5×1,5 mm
- M3 internal thread



Flexibly combinable with:
PDP2.Combi,
PDP2.DP,
PDP2.SP



Application example LFE:



Material:	Anodized aluminium
Weight:	PDP2.Combi: 540 g PDP2.DP: 400 g PDP2.SP: 380 g
Protection class:	IP64

PDP2.flange Digital and Analog Combined Pressure Transducer for Differential and Static Pressure

Stand: 02.06.2026

Ordering Information

Order No.: *PDP2.flange aaabcc*

aaa Static pressure measuring range

000	No sensor
001 ¹	-0,07 ... +0,07 bar
010	-1 ... +1 bar
070	-1 ... +7 bar
200 ¹	-1 ... +20 bar

b Type of sensor for static pressure

n	No sensor
r	Relative pressure
a	Absolute pressure ²

cc Differential pressure measuring range

00	No Sensor
01	-1 ... +1 mbar
02	-2 ... +2 mbar
10	-10 ... +10 mbar
20	-20 ... +20 mbar

Accessories

Order Number	Description
LTG-MBUS- GK125A-050U-00ADER	M12×1 connection cable, straight, length 5 m, open cable ends
LTG-MBUS- WK125A-050U-00ADER	M12×1 connection cable, angled, length 5 m, open cable ends
LTG-PDP2- GK085B-050U-00ADER	M8×1 shielded connection cable, female straight connector, length 5 m, open cable ends
LTG-PDP2- WK085B-050U-00ADER	M8×1 shielded connection cable, female angled connector, length 5 m, open cable ends
PDP2-VT-KO	Connection plates for PDP2.Combi with G1/8" access ports to each sensor connection
PDP2-VT-DP	Connection plates for PDP2.DP with G1/8" access ports to each sensor connection
PDP2-VT-SP	Connection plates for PDP2.SP with G1/8" access ports to each sensor connection

1 Nur als Relativdruckvariante Verfügbar

2 Messbereichsanfang 0 mbar