

CoM4.Flow-Pro-HP-01

Technical Data Sheet

Evaluation unit for a flow measurement system for air and gases. Includes differential and absolute pressure sensors, as well as temperature and optional humidity sensors. A microcontroller handles sensor data acquisition and calculates current and averaged flow values based on the appropriate physical model. Usable with an external laminar flow element (LFE).

Product name	CoM4.Flow-Pro-HP-01
Controller	CoM4.SYS
Document version	25.05.2026
Housing size	19" 3U benchtop housing with handles

Measured variables and calibrated ranges

Measured variable	Unit	min	max	max. deviation
Flow	mL/min - m ³ /min (depending on external LFE)	-	-	Accuracy: < 0.2 % O.R. Uncertainty (k=2): < 0,65% O.R.
Differential pressure	mbar	2	60	0.030% F.S., min. 0.75
Absolute pressure	bar	0.8	7	0.15 % F.S.
Temperature	°C	5	50	0.35°C
Humidity	%r.H.	5	90	3

Sensors

Sensor type	Measuring range	Overload
Differential pressure	0 - 60 mbar	10 bar
Absolute pressure	0 - 7 bar	12 bar
Temperature sensor	0 - 75 °C	max 75°C
Humidity Sensor	0-100% r.H.	non-condensing

Operating conditions

Inlet pressure	0.8 - 7 bar abs.
Inlet temperature	0 - 50 °C
Humidity	0 - 100 % non-condensing

Ambient conditions

Temperature	-10 to +50 °C (without enclosure)
Humidity	0 - 100 % non-condensing
Pressure	atmospheric
Protection class	IP20

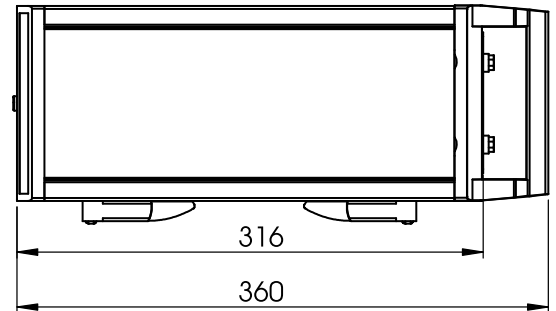
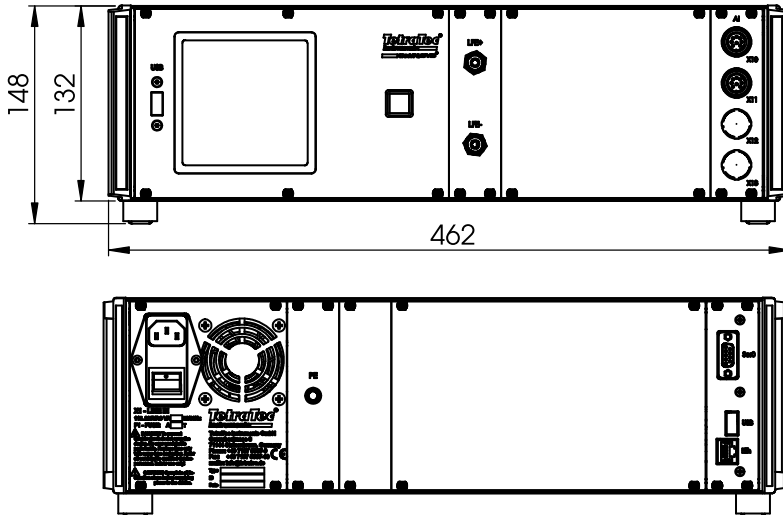
Media compatibility

Permitted media	Clean, dry, non-condensing, non-flammable, non-corrosive gases
Purity requirements	ISO 8573-1; 5 µm filter + oil/water separator required

Standards and approvals

Standards	EN 61010-1
Directives	Machinery Directive 89/392

Mechanical and electrical data



Housing	450 x 150 x 316 mm
Process connections	Plastic hoses with union nuts 4/6 mm
Display	4-inch graphical user interface
Power supply	90–260 VAC / 50/60 Hz
Power consumption	max. 80 W
Electrical connections	IEC power connector, circular connector (Lumberg)

Interfaces

Communication	Ethernet, USB 2.0 (Type A – for updates)
----------------------	--

Accessories

Flow measuring element	TTI Laminar Flow Element Measuring ranges available between 1 mL/min – 64 m ³ /h
-------------------------------	--

Options and variants

- Housing variants: benchtop housing or rack housing (with or without handles)
- Sensor connections: device rear side instead of device front side